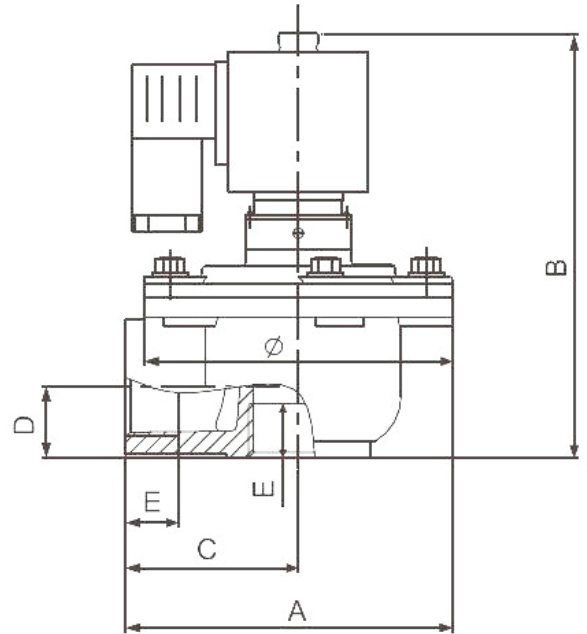


Threaded pulse valve (DCF-Z)



Drawing and diamention

| Model | Daimeter Tube | Daimention (mm) | | | | |
|----------|---------------|-----------------|-----|----|----|-----|
| | (mm) | A | B | C | D | E |
| DCF-Z-20 | 26.6 | 88 | 128 | 48 | 20 | 22 |
| DCF-Z-25 | 33.5 | 113 | 136 | 65 | 24 | 27 |
| DCF-Z-40 | 48 | 131 | 180 | 75 | 34 | 128 |

MODEL - DCF-Z

Size $\varnothing \frac{3}{4}$ "- 1"- 1½"

Working pressure : 4-6 Bar
 Working medium : clean air
 Voltage : DC24V,
 : AC220V/50HZ)

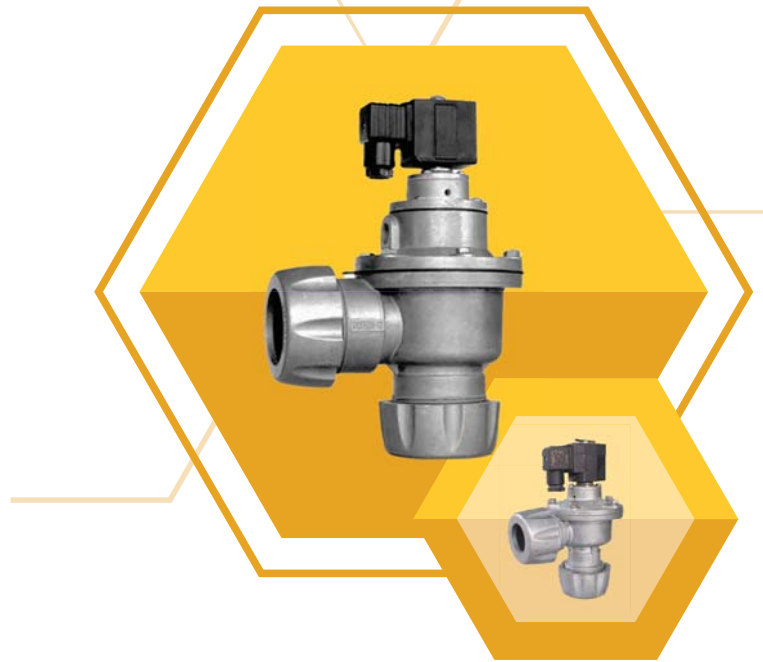
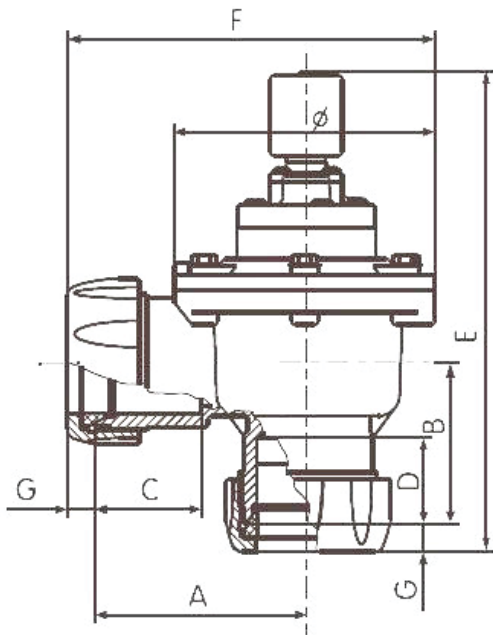
Normal temperature : diaphragm -25 °C ~ 85 °C
 The relative humidity of the air does not exceed 85%
 Protection level: IP65



cirbell@outlook.co.th <http://cirbell.com> +66 2077-9025

Suzhou Xiechang Environmental Protection Technology Co., Ltd., as a key enterprise in the environmental protection industry, adheres to the principle of "people-oriented, technological innovation" and is committed to the research, development and manufacture of bag-type dust collector accessories. "Xiechang" is a member unit of China Environmental Protection Industry Association, 30 member companies of the Bag Dust Removal Professional Committee and one of the 12 deputy directors. Its bag dust removal products are widely used in electric power, metallurgy, building materials, waste incineration, chemical and other industries. In the past two decades, the company's products and services have been recognized and affirmed by users all over the country.

Quick nut connectors pulse valve (DCF-ZM)



Drawing and diamention

| Model | Diameter Tube | Daimention (mm) | | | | | |
|-----------|---------------|-----------------|----|----|----|-----|-----|
| | (mm) | A | B | C | D | E | F |
| DCF-ZM-20 | 26.6 | 67 | 45 | 26 | 26 | 162 | 118 |
| DCF-ZM-25 | 33.5 | 78 | 70 | 32 | 38 | 192 | 139 |
| DCF-ZM-40 | 48 | 103 | 78 | 51 | 42 | 236 | 170 |



cirbell@outlook.co.th
<http://cirbell.com>
[+66 2077-9025](tel:+662077-9025)

MODEL - DCF-Z M

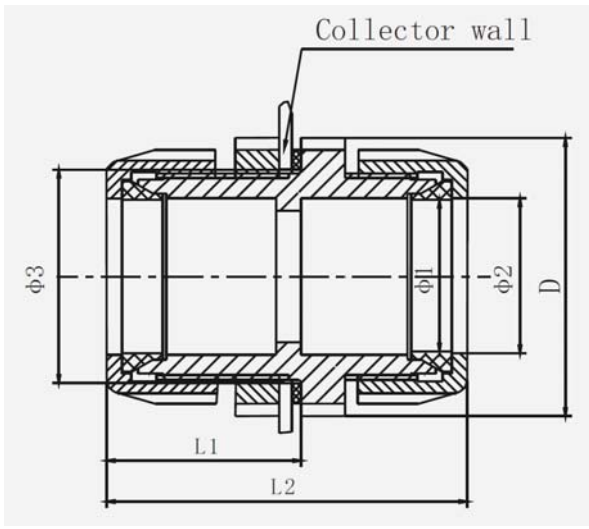
Size ϕ 3/4" - 1" - 1 1/2"

Working pressure : 4-6 Bar
 Working medium : clean air
 Voltage : DC24V,
 : AC220V/50HZ)

Normal temperature : diaphragm -25 ° C ~ 85 ° C
 The relative humidity of the air does not exceed 85%
 Protection level: IP65

Suzhou Xiechang Environmental Protection Technology Co., Ltd., as a key enterprise in the environmental protection industry, adheres to the principle of "people-oriented, technological innovation" and is committed to the research, development and manufacture of bag-type dust collector accessories. "Xiechang" is a member unit of China Environmental Protection Industry Association, 30 member companies of the Bag Dust Removal Professional Committee and one of the 12 deputy directors. Its bag dust removal products are widely used in electric power, metallurgy, building materials, waste incineration, chemical and other industries. In the past two decades, the company's products and services have been recognized and affirmed by users all over the country.

Bulkhead Quick Connectors (XBS)



Drawing and diamention

| Model | Daimeter Tube | Daimention (mm) | | | | |
|--------|---------------|-----------------|-------|----|----|----|
| | (mm) | L1 | L2 | Ø1 | Ø2 | Ø3 |
| XBS-20 | 26.6 | 60.5 | 110 | 26 | 28 | 43 |
| XBS-25 | 33.5 | 62.4 | 113.8 | 33 | 35 | 55 |
| XBS-40 | 48 | 62.2 | 111.4 | 47 | 50 | 67 |

Bulkhead Quick Connectors
MODEL - XBS
Size \varnothing 3/4" - 1" - 1 1/2"

 Double head nut pressing (XBS type)



cirbell@outlook.co.th
 <http://cirbell.com>
 +66 2077-9025

