

ELECALL MANOMETER TE2000



0-250 mmH2O

PRODUCT FEATURES



- Eliminating the friction caused by the rotation of the gear
- Change the conventional liquid without filling
- Industrial grade quality professional work

INSTALLATION ACCESSORIES



- 2 Pcs 1/8" internal room temperature and atmospheric pressure high-low pressure copper Taper pipe threads
- 2 Pcs 1/8" internal high-low pressure taper pipe plug head.
- The embedded installation adapter and screw



cirbell@outlook.co.th <http://cirbell.com> +66 2077-9025

PRODUCT INFORMATION



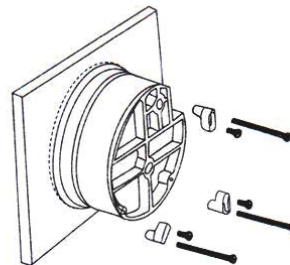
Specifications Model	TE2000 Gauge
Ambient Temperature	-6~60°C
Rated Pressure	-68~103KPa
Shell Material	Aluminum Film

TECHNICAL PARAMETERS

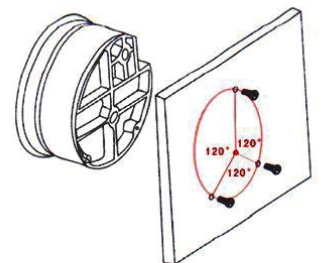
Overload Pressure	About 172KPa overvoltage when the rubber stopper has been rushed to open
Process Connection	1/8" female NPT high and low pressure taps, duplicated, one pair side and one pair back Shell Material: Aluminum External, final coating film dark black
Shell Material	Aluminum External, final coating film dark black
Accuracy	± 2% FS (21 ° C)
Standard Accessories	Two 1/8" NPT plugs for duplicate pressure nozzles, two 1/8" pipe thread for rubber fittings. Three bolts with countersunk mounting interface.

INSTALLATION METHOD

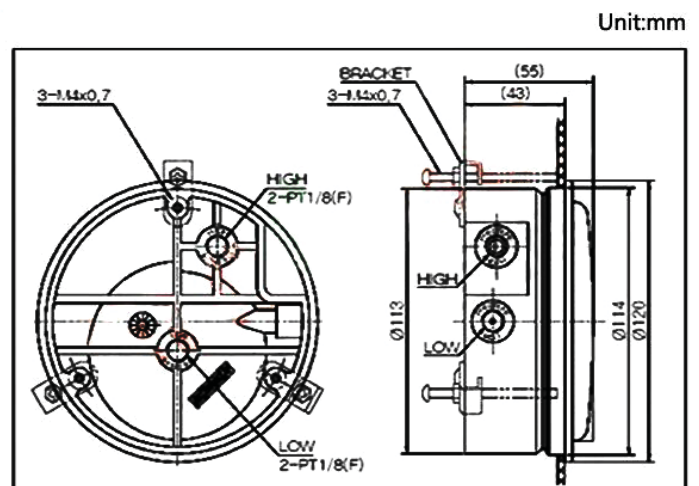
Embedded installation



Surface mount



PRODUCT SIZE



Unit:mm