



Dust collector components

Pulse Valves

Valves are characterized by a quick opening which allows a high jet and a reduced air consumption in a short time

Control Pulse Valves

Economiser for controlling the pneumatic cleaning function of industrial dust collection systems

Cartridge Filter

Suitable for the filtration of fine dusts



cirbell@outlook.co.th

<http://cirbell.com>

+66 2077-9025

CIRBELL CO., LTD.

CIRBELL INDEX

TURBO PULSE VALVE (ITALY)	(1-7)
AAFS PULSE VALVE (CHINA)	(8-13)
CIRBELL SEQUENTIAL TIMER (CONTROL PULSE VALVE)	(14-19)
TURBO SEQUENTIAL TIMER (CONTROL PULSE VALVE)	(20-21)
AIR CARTRIDGE FILTER	(22-25)
DIFFERENTIAL PRESSURE GAUGE	(26-28)
AIR DUCT	(29)



Pulse Jet Valves

Valves are characterized by a quick opening which allows a high jet and a reduced air consumption in a short time

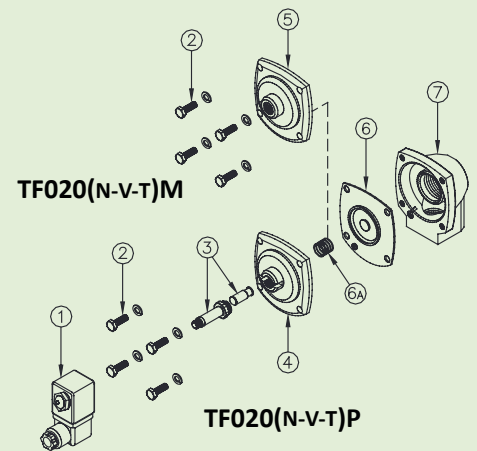
VALVES WITH THREADED CONNECTORS - TF SERIES - Ø 3/4"-1"-1 1/2"-2"-2 1/2"



FEATURES

Fluids	Non-lubricated filtered air
Operating temperature	Neoprene diaphragm -20°C +80°C
	Viton diaphragm -20°C +200°C
	Low T. diaphragm -40°C; +80°C
Operating pressure	between 0.5 and 7.5 bar
Body and cover	Die-cast aluminium
Pilot core	Stainless steel
Screws and bolts	Stainless steel
Coil insulation	Class H
Connector	PG 9 EN175301-803
Connector + coil protection	IP65 EN60529
Standard voltage	24V/50-60Hz (±10%) 19VA
	115V/50-60Hz (±10%) 19VA
	230V/50-60Hz (±10%) 19VA
	24VDC (± 10%) 18 Watt

DESCRIPTION	TF020(N-V-T)P / TF020(N-V-T)M	TF025(N-V-T)P / TF025(N-V-T)M
1 Coil - Connector	BH10 V## / V##	BH10 V## / V##
2 Screws - Washers	TKITVTE06X20X4	TKITVTE06X20X4
3 Pilot unit	1331080	1331080
4 Pilot cover	1251750	1251750
5 Remote cover	1251770	1251770
6 Diaphragm (N-V-T)	TKISM025N Neoprene	TKISM025N Neoprene
	TKISM025V Viton	TKISM025V Viton
	TKISM025T Low temperature	TKISM025T Low temperature
6a Diaphragm spring	3241002	3241002
7 Valve body	1251120	1251190



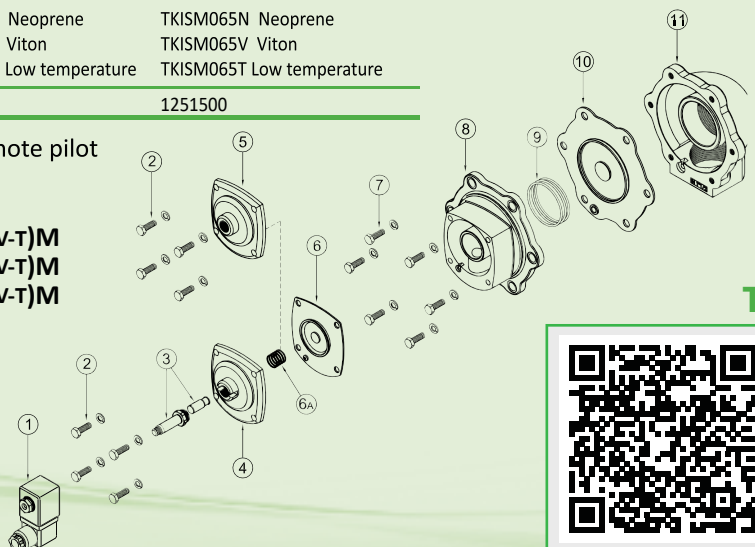
TFP version with built-in pilot / TFM version with remote pilot

DESCRIPTION	TF040(N-V-T)P TF040(N-V-T)M	TF055(N-V-T)P TF055(N-V-T)M	TF065(N-V-T)P TF065(N-V-T)M
1 Coil + Connector	BH10 V## / V##	BH10 V## / V##	BH10 V## / V##
2 Screws + Washers	TKITVTE06X20X4	TKITVTE06X20X4	TKITVTE06X20X4
3 Pilot unit	1331080	1331080	1331080
4 Pilot cover	1251750	1251750	1251750
5 Remote cover	1251770	1251770	1251770
6 Secondary Diaphragm (N-V-T)	TKISM025N Neoprene	TKISM025N Neoprene	TKISM025N Neoprene
	TKISM025V Viton	TKISM025V Viton	TKISM025V Viton
	TKISM025T Low temperature	TKISM025T Low temperature	TKISM025T Low temperature
6a Diaphragm spring	3241002	3241002	3241002
7 Screws + Washers	TKITVTE08X20X6	TKITVTE10X25X6	TKITVTE10X25X6
8 Cover	1251620	1251660	1251660
9 Diaphragm spring	3241024	3241024	3241024
10 Primary Diaphragm (N-V-T)	TKISM040N Neoprene	TKISM055N Neoprene	TKISM065N Neoprene
	TKISM040V Viton	TKISM055V Viton	TKISM065V Viton
	TKISM040T Low temperature	TKISM055T Low temperature	TKISM065T Low temperature
11 Valve body	1251400	1251470	1251500

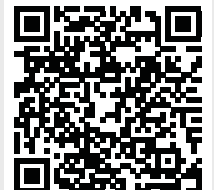
TFP version with built-in pilot / TFM version with remote pilot
V## / V## = 24 Vdc - 24 Vac - 115 Vac - 230 Vac

TF040(N-V-T)M
TF055(N-V-T)M
TF065(N-V-T)M

TF040(N-V-T)P
TF055(N-V-T)P
TF065(N-V-T)P



TF



SCAN ME

VALVES WITH QUICK CONNECTORS - TD SERIES - Ø ¾" - 1" - 1 ½"

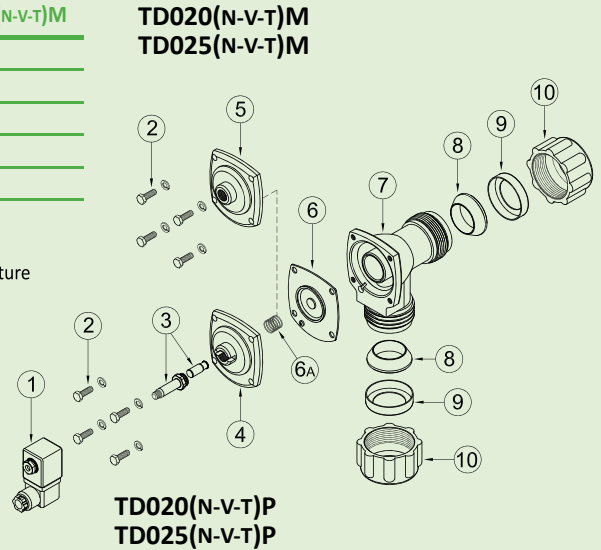


FEATURES

Fluids	Non-lubricated filtered air
Operating temperature	Neoprene diaphragm -20°C +80°C
	Viton diaphragm -20°C +200°C
	Low T. diaphragm -40°C; +80°C
Operating pressure	between 0.5 and 7.5 bar
Body and cover	Die-cast aluminium
Pilot core	Stainless steel
Screws and bolts	Stainless steel
Coil insulation	Class H
Connector	PG 9 EN175301-803
Connector + coil protection	IP65 EN60529
Standard voltage	24V/50-60Hz (±10%) 19VA
	115V/50-60Hz (±10%) 19VA
	230V/50-60Hz (±10%) 19VA
	24VDC (± 10%) 18 Watt

DESCRIPTION	TD020(N-V-T)P / TD020(N-V-T)M	TD025(N-V-T)P / TD025(N-V-T)M
1 Coil - Connector	BH10 V## / V##	BH10 V## / V##
2 Screws - Washers	TKITVTE06X18X4	TKITVTE06X18X4
3 Pilot unit	1331080	1331080
4 Pilot cover	1251750	1251750
5 Remote cover	1251770	1251770
6 Diaphragm (N-V-T)	TKISM025N Neoprene	TKISM025N Neoprene
	TKISM025V Viton	TKISM025V Viton
	TKISM025T Low temperature	TKISM025T Low temperature
6a Diaphragm spring	3241002	3241002
7 Valve body	1251110	1251310
8 Conical seal	3301010	3301013
9 Retaining ring	1321006	1321010
10 Hose clamp high nut	1281040	1281045

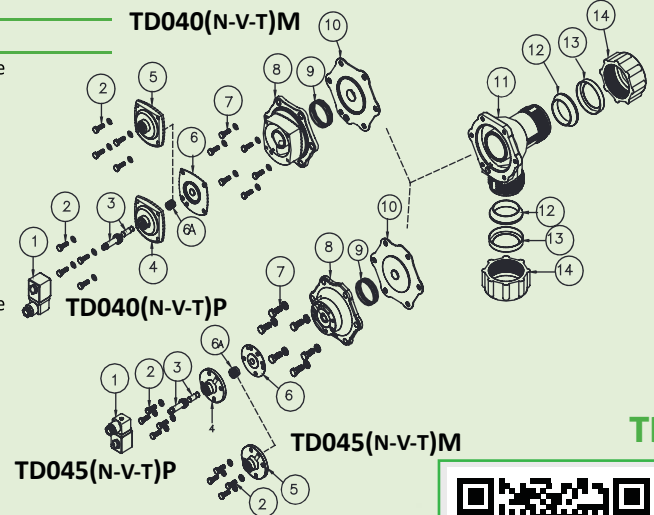
TDP version with built-in pilot
TDM version with remote pilot



DESCRIPTION	TD040(N-V-T)P / TD040(N-V-T)M	TD045(N-V-T)P / TD045(N-V-T)M
1 Coil - Connector	BH10 V## / V##	BH10 V## / V##
2 Screws - Washers	TKITVTE06X20X4	TKITVTE06X18X4
3 Pilot unit	1331080	1331080
4 Pilot cover	1251750	1251715
5 Remote cover	1251770	1251745
6 Secondary diaphragm (N-V-T)	TKISM025N Neoprene	TKISM010N Neoprene
	TKISM025V Viton	TKISM010V Viton
	TKISM025T Low temperature	TKISM010T Low temperature
6a Diaphragm spring	3241002	3241002
7 Screws - Washers	TKITVTE08X20X6	TKITVTE08X20X6
8 Cover	1251620	1251640
9 Diaphragm spring	3241024	3241024
10 Primary Diaphragm (N-V-T)	TKISM040N Neoprene	TKISM045N Neoprene
	TKISM040V Viton	TKISM045V Viton
	TKISM040T Low temperature	TKISM045T Low temperature
11 Valve body	1251440	1251440
12 Conical seal	3301017	3301017
13 Retaining ring	1321012	1321012
14 Hose clamp high nut	1281050	1281050

TDP version with built-in pilot
TDM version with remote pilot

V## / V## = 24 Vdc -
24 Vac - 115 Vac - 230 Vac



FLANGED VALVES - TE SERIES - Ø ¾" - 1" - 1 ½"

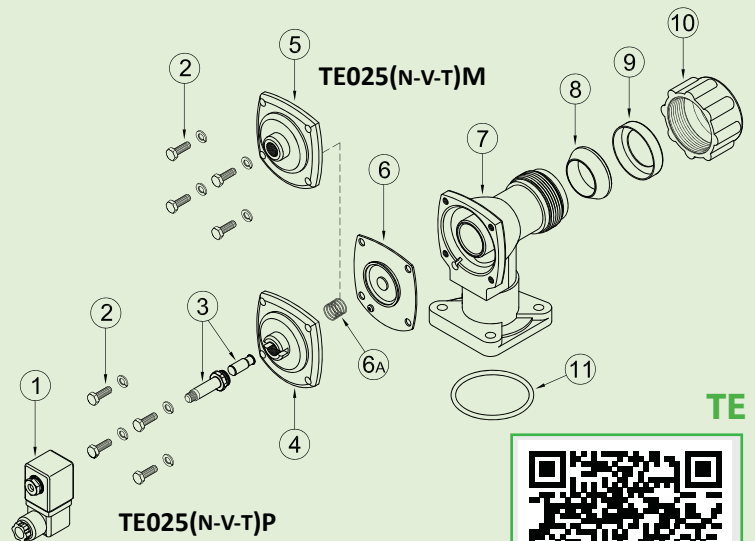


TEP version with built-in pilot
TEM version with remote pilot

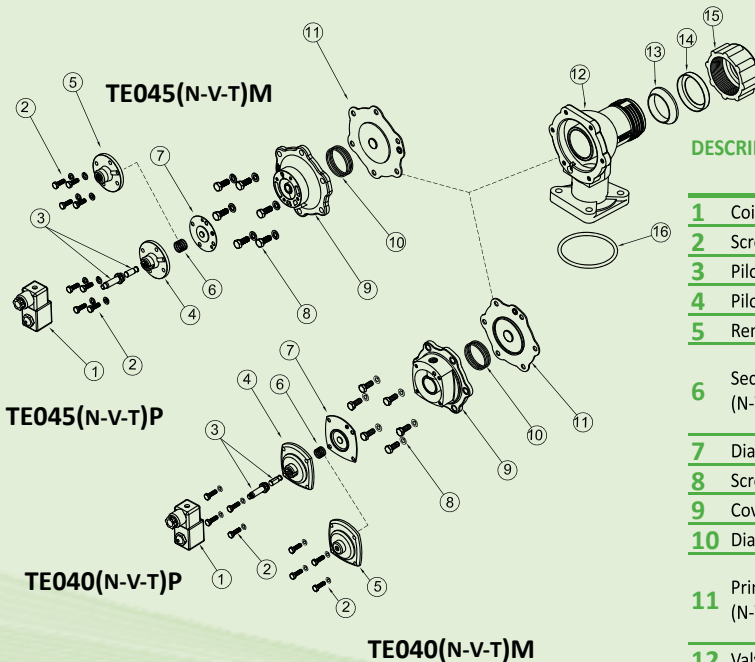
FEATURES

Fluids	Non-lubricated filtered air
Operating temperature	Neoprene diaphragm -20°C +80°C
	Viton diaphragm -20°C +200°C
	Low T. diaphragm -40°C; +80°C
Operating pressure	between 0.5 and 7.5 bar
Body and cover	Die-cast aluminium
Pilot core	Stainless steel
Screws and bolts	Stainless steel
Coil insulation	Class H
Connector	PG 9 EN175301-803
Connector + coil protection	IP65 EN60529
Standard voltage	24V/50-60Hz (±10%) 19VA
	115V/50-60Hz (±10%) 19VA
	230V/50-60Hz (±10%) 19VA
	24VDC (± 10%) 18 Watt

DESCRIPTION	TE025(N-V-T)P / TE025(N-V-T)M
1 Coil - Connector	BH10 V## / V##
2 Screws - Washers	TKITVTE06X18X4
3 Pilot unit	1331080
4 Pilot cover	1251752
5 Remote cover	1251776
6a Diaphragm spring	3241002
6 Diaphragm (N-V-T)	TKISM025N Neoprene
	TKISM025V Viton
	TKISM025T Low temperature
7 Valve body	1251280
8 Conical seal	3301013
9 Retaining ring	1321010
10 Hose clamp high nut	1281045
11 O-R gasket	3301271



V## / V## = 24 Vdc -
24 Vac - 115 Vac - 230 Vac



DESCRIPTION	TE040(N-V-T)P TE040(N-V-T)M	TE045(N-V-T)P TE045(N-V-T)M
1 Coil - Connector	BH10 V## / V##	BH10 V## / V##
2 Screws - Washers	TKITVTE06X20X4	TKITVTE06X18X4
3 Pilot unit	1331080	1331080
4 Pilot cover	1251750	1251715
5 Remote cover	1251770	1251745
6 Secondary diaphragm (N-V-T)	TKISM025N Neoprene	TKISM010N Neoprene
	TKISM025V Viton	TKISM010V Viton
	TKISM025T Low temperature	TKISM010T Low temperature
7 Diaphragm spring	3241002	3241006
8 Screws - Washers	TKITVTE08X20X6	TKITVTE08X20X6
9 Cover	1251620	1251640
10 Diaphragm spring	3241024	3241024
11 Primary diaphragm (N-V-T)	TKISM040N Neoprene	TKISM045N Neoprene
	TKISM040V Viton	TKISM045V Viton
	TKISM040T Low temperature	TKISM045T Low temperature
12 Valve body	1251430	1251430
13 Conical seal	3301017	3301017
14 Retaining ring	1321012	1321012
15 Hose clamp high nut	1281050	1281050
16 O-R gasket	3301281	3301281

VALVES FOR FLAT SURFACES - TS SERIES - Ø 1"



FEATURES

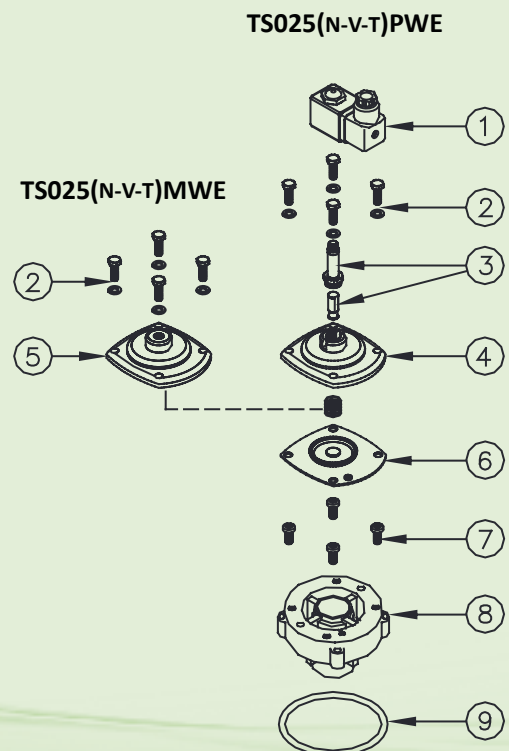
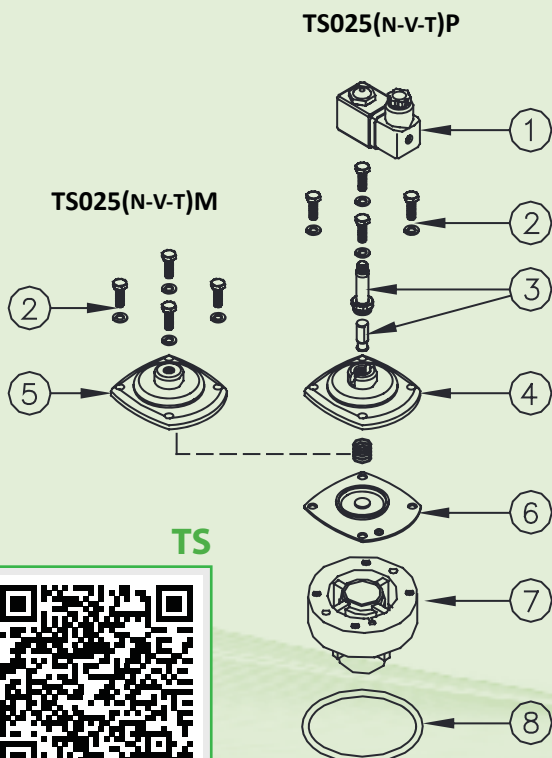
Fluids	Non-lubricated filtered air
Operating temperature	Neoprene diaphragm -20°C +80°C
	Viton diaphragm -20°C +200°C
	Low T. diaphragm -40°C; +80°C
Operating pressure	between 0.5 and 7.5 bar
Body and cover	Die-cast aluminium
Pilot core	Stainless steel
Screws and bolts	Stainless steel
Coil insulation	Class H
Connector	PG 9 EN175301-803
Connector + coil protection	IP65 EN60529
Standard voltage	24V/50-60Hz (±10%) 19VA
	115V/50-60Hz (±10%) 19VA
	230V/50-60Hz (±10%) 19VA
	24VDC (± 10%) 18 Watt

DESCRIPTION	TS025(N-V-T)P / TS025(N-V-T)M
1 Coil - Connector	BH10 V## / V##
2 Screws - Washers	TKITVTE06X20X4
3 Pilot unit	1331080
4 Pilot cover	1251750
5 Remote cover	1251770
6a Diaphragm spring	3241002
6 Diaphragm (N-V-T)	TKISM025N Neoprene
	TKISM025V Viton
	TKISM025T Low temperature
7 Valve body	1251290
8 O-R gasket	3301285

TSP version with built-in pilot / TSM version with remote pilot
V## / V## = 24 Vdc - 24 Vac - 115 Vac - 230 Vac

DESCRIPTION	TS025(N-V-T)PWE / TS025(N-V-T)MWE
1 Coil - Connector	BH10 V## / V##
2 Screws - Washers	TKITVTE06X20X4
3 Pilot unit	1331080
4 Pilot cover	1251750
5 Remote cover	1251770
6a Diaphragm spring	3241002
6 Diaphragm (N-V-T)	TKISM025N Neoprene
	TKISM025V Viton
	TKISM025T Low temperature
7 Screws - Washers	TKITVTE06X16X4
8 Valve body	1251300
9 O-R gasket	3301285

TSP version with built-in pilot / TSM version with remote pilot
V## / V## = 24 Vdc - 24 Vac - 115 Vac - 230 Vac



BULKHEAD QUICK CONNECTORS - PS/PD SERIES - \varnothing ¾" - 1" - 1½" - 2"



The bulkhead quick connectors are designed to allow air cannons to pass through the filter wall in a simple and rational way, without requiring welds or threaded connectors.

Turbo provides two ranges:

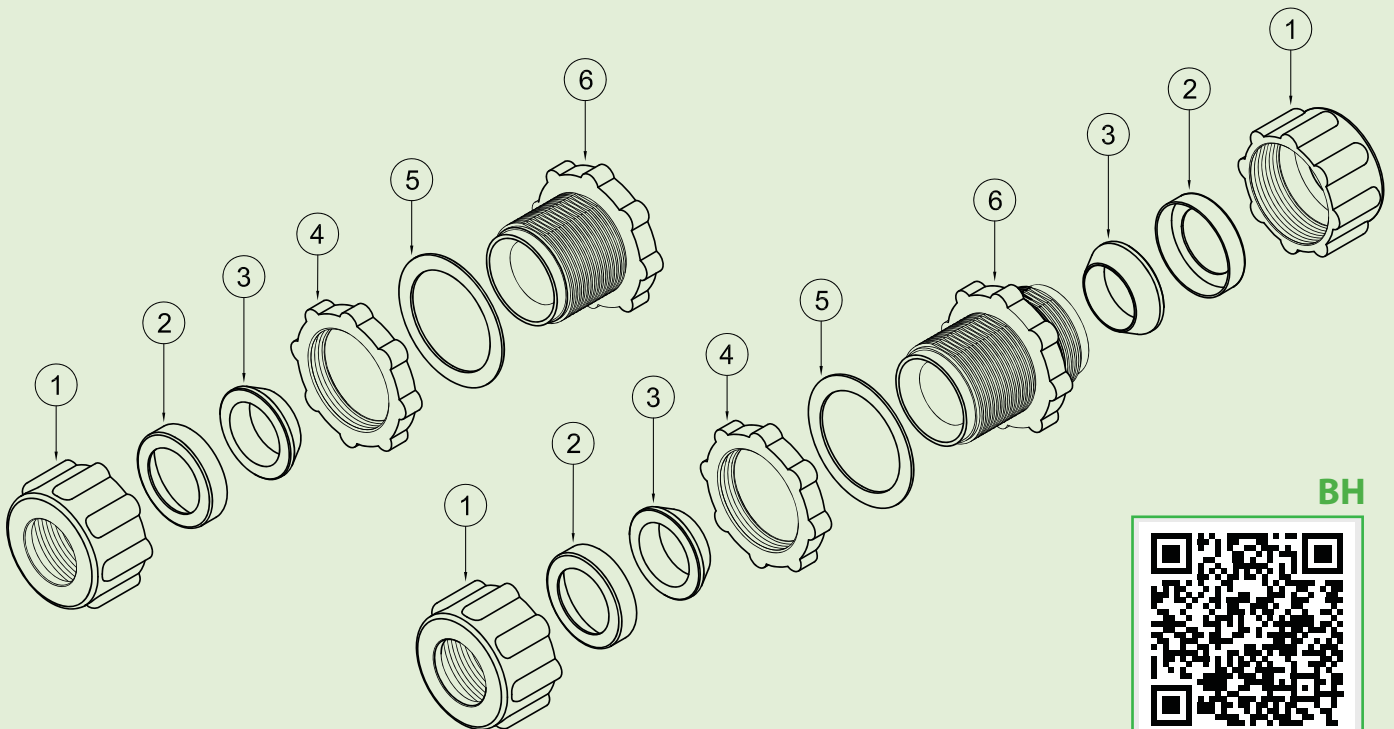
- PD series, used to connect two pipes
- PS series, used for the air cannon

Turbo also provides special keys for fastening nuts and lock nuts.

We recommend using them only in a pneumatic setting.

Do not use as a mechanical support.

DESCRIPTION	PS20	PS25	PS40	PS55
1 Nut	1281040	1281045	1281050	1281055
2 Retaining ring	1321006	1321010	1321012	1321014
3 Conical seal	3301010	3301013	3301017	3301020
4 Lock nut	3181036	3181036	3181032	3181022
5 Fibre gasket	3141529	3141529	3581000	3581014
6 Body	1252022	1252026	1252032	1251052



BH



SCAN ME

DESCRIPTION	PD20	PD25	PD40	PD55
1 Nut	1281040	1281045	1281050	1281055
2 Retaining ring	1321006	1321010	1321012	1321014
3 Conical seal	3301010	3301013	3301017	3301020
4 Lock nut	3181036	3181036	3181032	3181022
5 Fibre gasket	3141529	3141529	3581000	3581014
6 Body	1252020	1252024	1252028	1252034

REMOTE PILOT ENCLOSURE - RCP SERIES

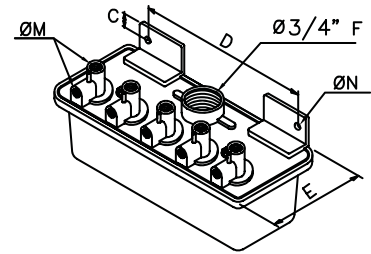
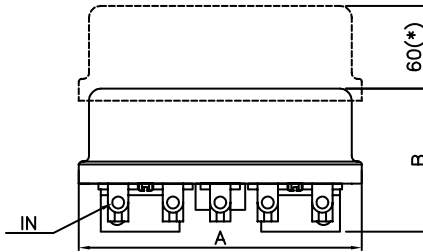


FEATURES

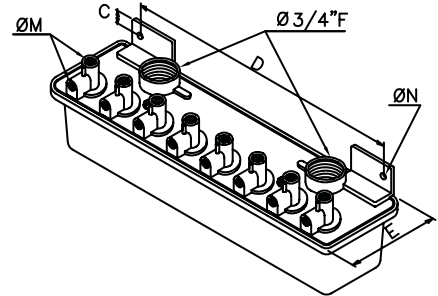
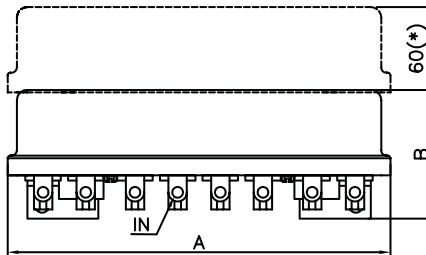
Fluids	Non-lubricated filtered air
Operating pressure	between 0.5 and 7.5 bar
Operating temperature	-20°C; +80°C
with heating element	-40°C +80°C
Cover and base	Die-cast aluminium
Pilot core	Stainless steel
Screws and bolts	Stainless steel
Coil insulation	Class H
Protection	IP66
Standard voltage	230 -110 - 24V
	50-60 Hz 19 VA
	24VDC 15W
Maximum Valve Distance	3 Metres

(*) Clearance for opening the cover

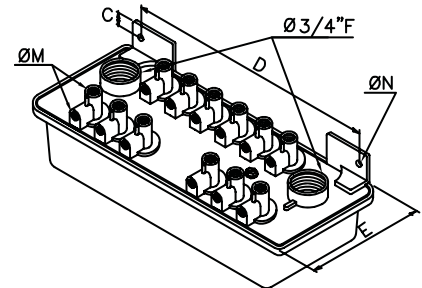
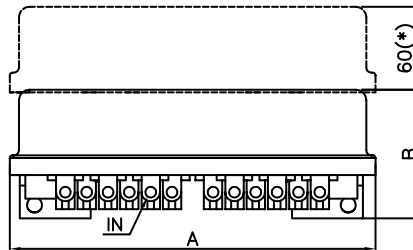
RCP5



RCP8



RCP12



RCP



SCAN ME

MODEL	A	B	C	D	E	ØM	ØN	Weight (kg)
RCP5	210	98	10	156	100	1/8"	11	1.7
RCP8	333	98	10	267	100	1/8"	11	3.2
RCP12	306	97	10	237	152	1/8"	11	4.4

Threaded pulse valve (DMF-Z)



MODEL - DMF-Z Size ϕ 3/4" - 1" - 1 1/2"

Technical Index

Working Pressure	:	0.1MPa -0.8MPa
Working Media	:	Clean air
Voltage	:	DC24V(0.8A)
		AC110V(0.46A)
		AC220V (0.23A)
Temperature Level	:	-25 -80°C
Protection Class	:	IP65
Diaphragm Life	:	One million blows or 3 years

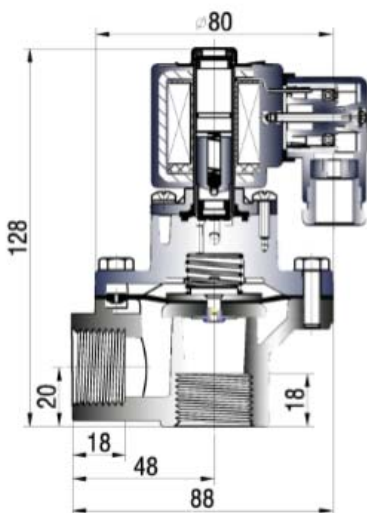
Material Construction

Body	:	ADC12diecast aluminium
Armature	:	430FR stainless steel
Diaphragm & Seals	:	Nitrile
Spring	:	321 stainless steel
Screws	:	02 stainless steel

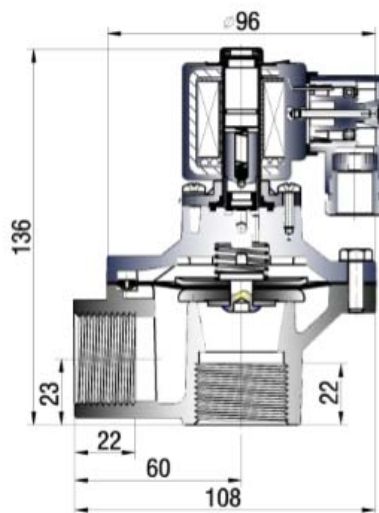
unit: mm

size	air chest (round)			connector tube		blowing tube		center distance between the adjoining two valves
	external diameter	internal diameter for input tube	size for installation hole	Input port	Output port	external diameter	internal diameter	
20 (3/4")	Φ 114	Φ 20	Φ 41.5	FAP-C-1-20	FAP-A-3-20	Φ 27	Φ 20	90
25 (1")	Φ 146	Φ 20	Φ 50.5	FAP-C-1-25	FAP-C-3-25	Φ 34	Φ 25	106
40(1 1/2")	Φ 168	Φ 25	Φ 66.5	FAP-C-1-40	FAP-C-3-40	Φ 48	Φ 40	122

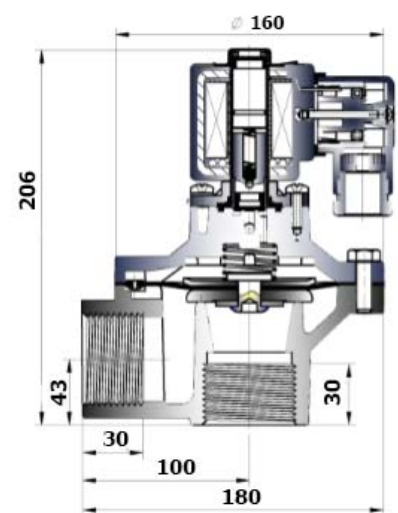
Drawing and diamention



DMF-Z-20

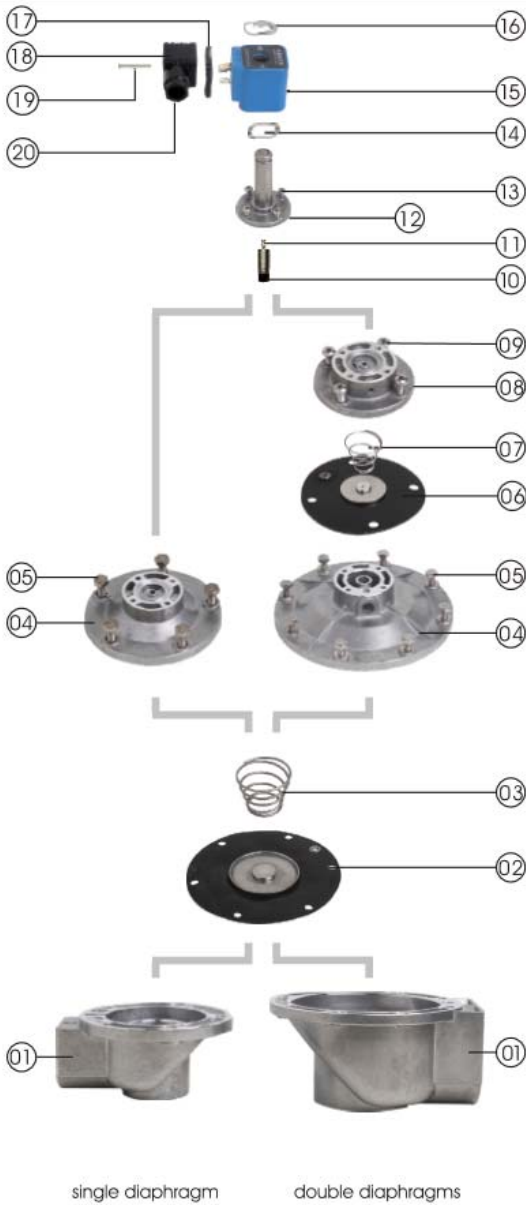


DMF-Z-25

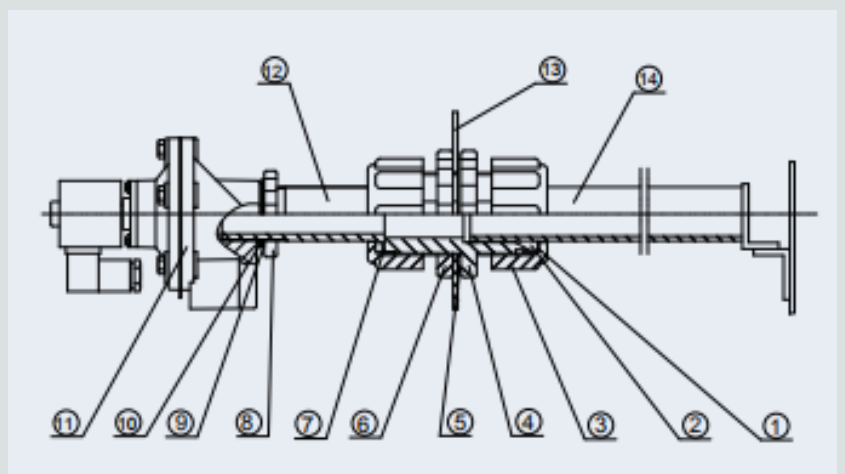
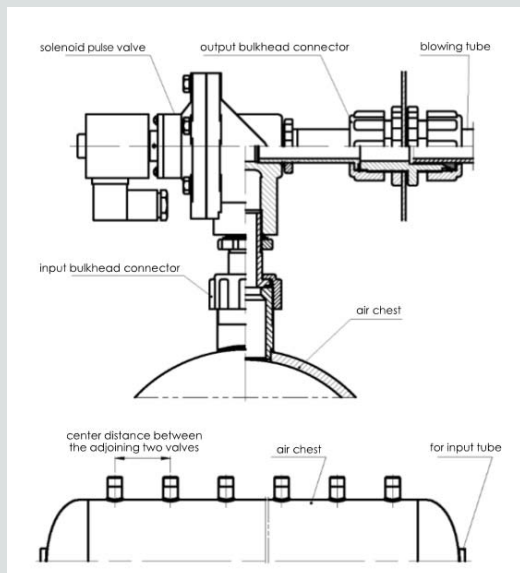


DMF-Z-40S

Threaded pulse valve (DMF-Z)



Number	components name	disposition	
		single diaphragm	double diaphragms
01	valve body	1	1
02	diaphragm (primary)	1	1
03	spring	1	1
04	valve top	1	1
05	bolt	4-5	6-8
06	diaphragm (assistant)		1
07	spring		1
08	valve top		1
09	screw		4
10	armature	1	1
11	spring	1	1
12	guidance	1	1
13	screw	4	4
14	waved washer	1	1
15	solenoid coil	1	1
16	block spring	1	1
17	sealing washer	1	1
18	junction box	1	1
19	screw	1	1
20	sealing connector	1	1



Quick nut connectors pulse valve (DCF-ZM)

MODEL - DMF-ZM Size ϕ 3/4"- 1"- 1 1/2"

Technical Index

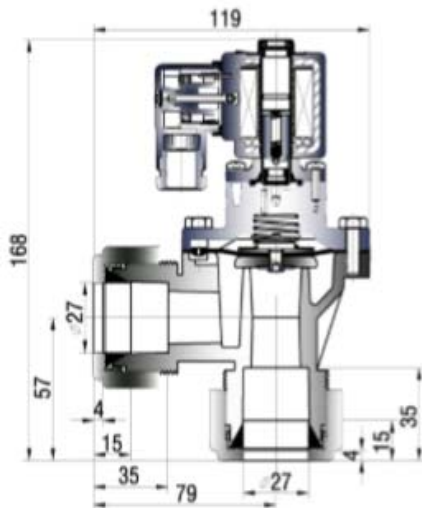
Working Pressure	:	0.1MPa -0.8MPa
Working Media	:	Clean air
Voltage	:	DC24V(0.8A)
	:	AC110V(0.46A)
	:	AC220V (0.23A)
Temperature Level	:	-25 -80°C
Protection Class	:	IP65
Diaphragm Life	:	One million blows or 3 years

Material Construction

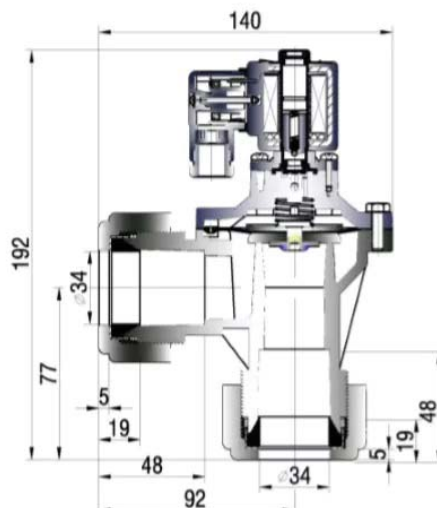
Body	:	ADC12diecast aluminium
Armature	:	430FR stainless steel
Diaphragm & Seals	:	Nitrile
Spring	:	321 stainless steel
Screws	:	02 stainless steel



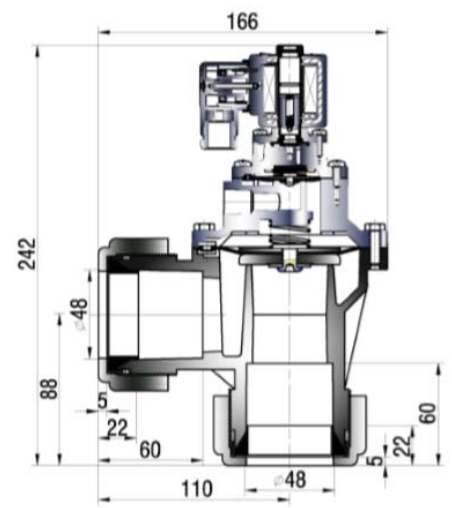
Drawing and diamention



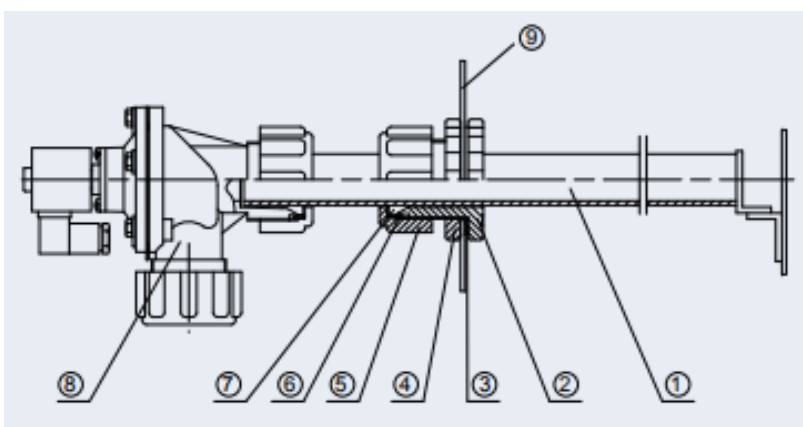
DMF-ZM-20



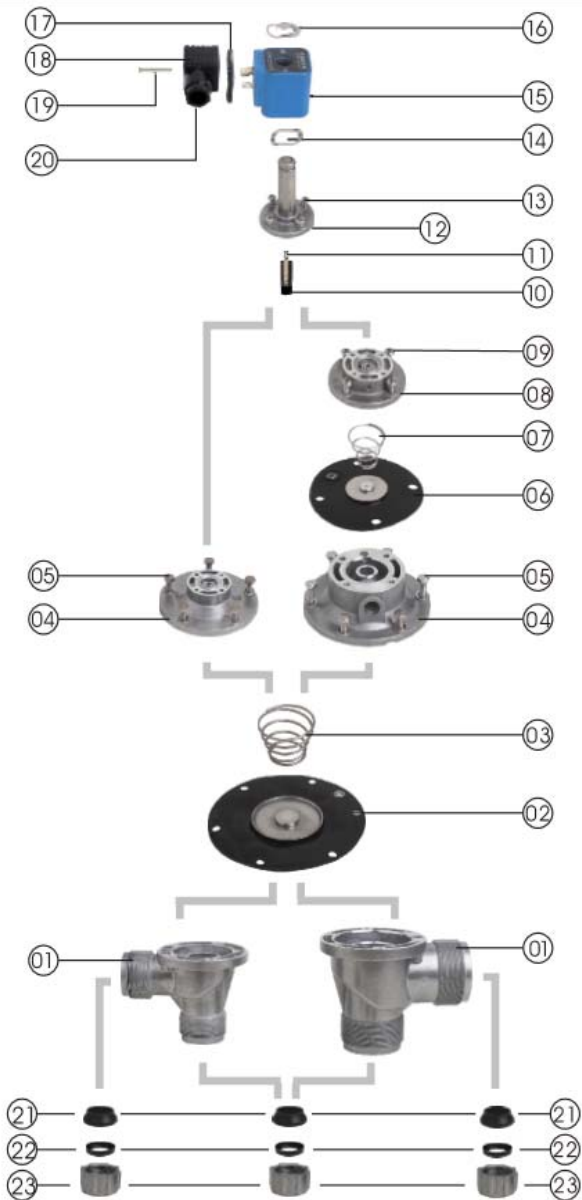
DMF-ZM-25



DMF-ZM-40S

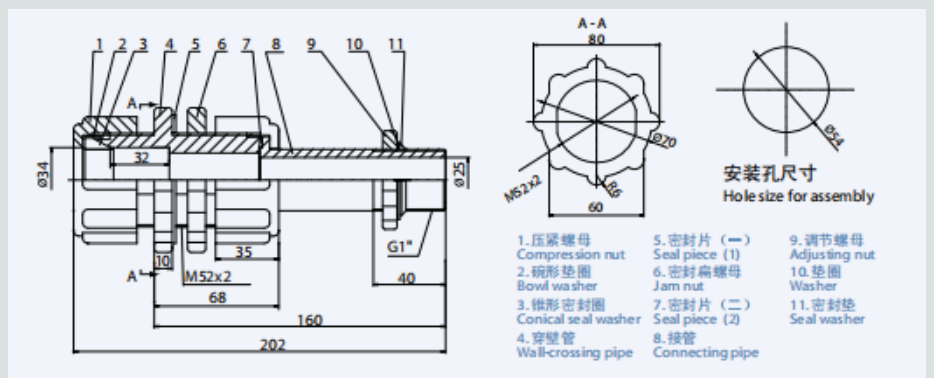


Quick nut connectors pulse valve (DCF-ZM)

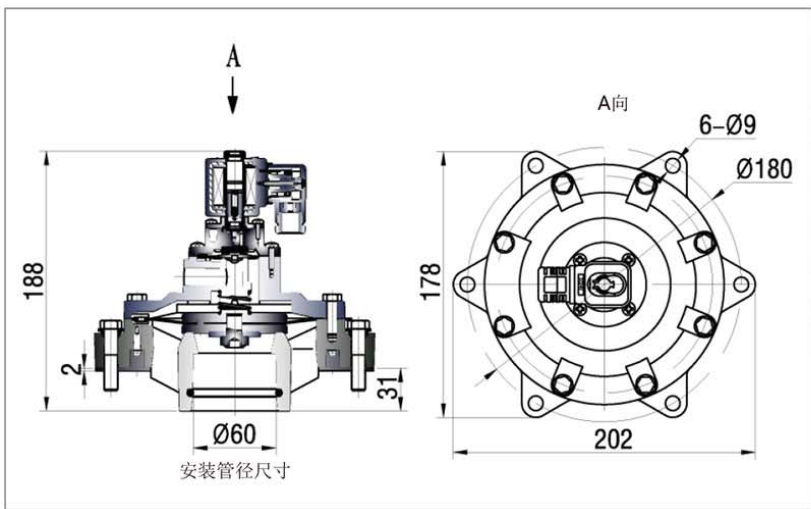
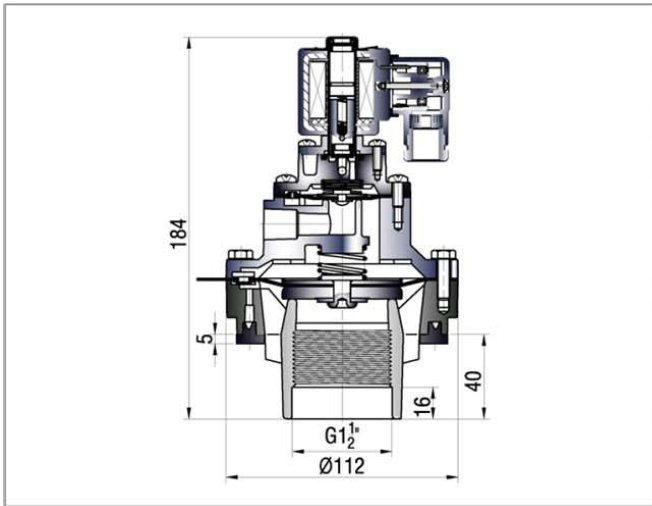
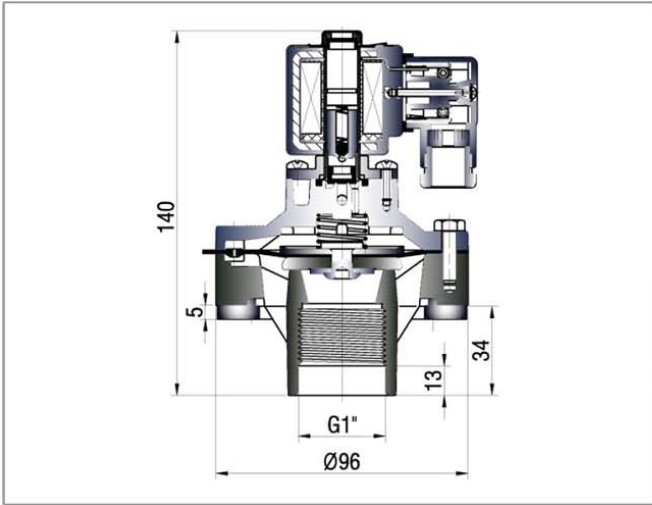


Number	components name	Disposition	
		single diaphragm	double diaphragms
01	valve body	1	1
02	diaphragm (primary)	1	1
03	spring	1	1
04	valve top	1	1
05	bolt	4-5	6
06	diaphragm (assistant)		1
07	spring		1
08	valve top		1
09	screw		4
10	armature	1	1
11	spring	1	1
12	guidance	1	1
13	screw	4	4
14	waved washer	1	1
15	solenoid coil	1	1
16	block spring	1	1
17	sealing washer	1	1
18	junction box	1	1
19	screw	1	1
20	sealing connector	1	1
21	cone sealing washer	2	2
22	bowl washer	2	2
23	press nut	2	2

Bulkhead Quick Connectors and pipe (FAP-3-25)



Pulse Valves for flat surface (DCF-Y)



Bulkhead Quick Connectors (FAP)



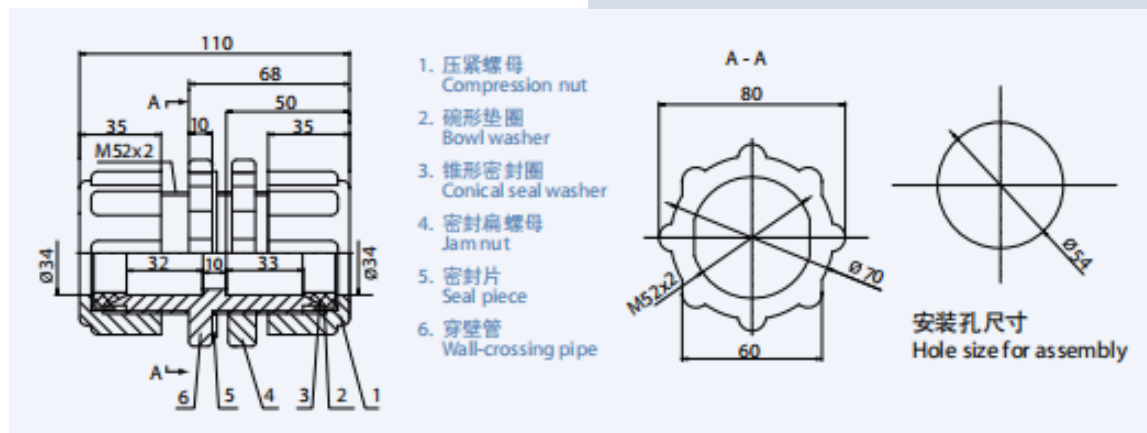
Size $\varnothing 3/4'' - 1'' - 1\frac{1}{2}''$

Material Construction

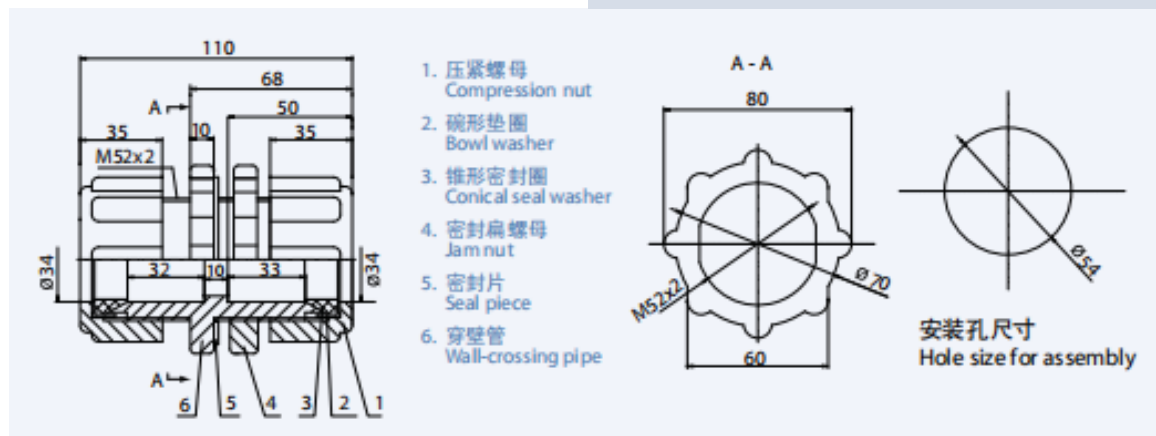
Body : diecast aluminium
 Seals : NBR

Special joint, which is reliable in use and convenient for installation and maintenance.

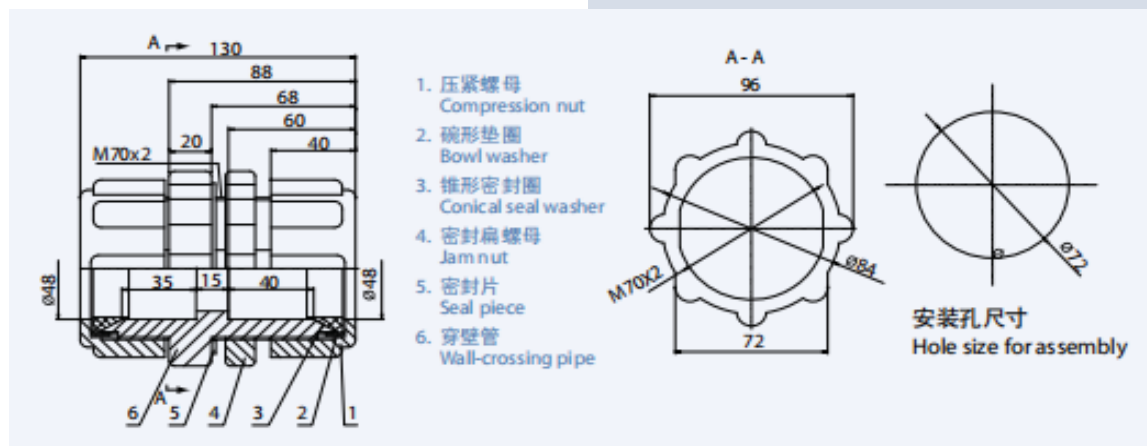
FAP-A-2-20



FAP-A-2-25



FAP-A-2-40





Control Pulse Valves

Economiser for controlling the pneumatic cleaning function of industrial dust collection systems

CB-STD-8-24M control unit sequencer 8-24 output channels

STD SOLUTION

Sequencer for controlling the pneumatic cleaning of industrial dust collector systems

Advance Method, state-of-the-art performances: advanced functions to manage the cleaning cycle, large number of parameters and management via serial line. Economisers in the STD SOLUTION range are digital sequential timers switches and are able to control from 8 to 24 solenoid valve srespectively.

In all versions there is a display that can display the most important features and it is possible to programme the various and customizable internal parameters with the 3 buttons on the panel. The states and functions are displayed by the lighting of LCD on the front panel of the instrument.

The controllers with AC power supply are able to control both electronic valves 230VAC and 24VDC.



TECHNICAL SPECIFICATIONS

Power supply voltage	230 Vac 50-60 Hz ± 10 % [24 Vdc (Optional)]
Output voltage for solenoid valves	230 Vac 50-60 Hz 24 Vdc (Optional)
Inputs	Remote enabling [Terminal CONTROL IN] Option Post-cleaning cycles fan switch. (Terminal [FAN])
Solenoid valves output	Channels 8 16 24
Electric consumption	28 Watts at maximum load
Alarm Relays	1 Point normally open
Maximum load:	3A @ 250Vac, 2A @ 24Vdc,
Screen	LCD display
5 x 20 mm glass fuse	230 Vac 1 x 2 A 24 Vdc 1 x 2 A
Operating temperature	-10 °C - 55 °C
Casing	Base in ABSLid in Polycarbonate



CB-STD-8-24AT control unit sequencer 8-24 output channels with built-in differential pressure
ECO SOLUTION

Sequencer for controlling the pneumatic cleaning of industrial dust collector systems

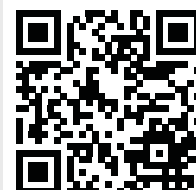
Classic Method, state-of-the-art performances: advanced functions to manage the cleaning cycle, large number of parameters and management via serial line. Economisers in the STD SOLUTION range are digital sequential timers switches and are able to control from 8 to 32 solenoid valves respectively.

In all versions there is a mini display that can display the most important features and it is possible to programme the various and customizable internal parameters with the 5 buttons on the panel. The states and functions are displayed by the lighting of LEDs on the front panel of the instrument.

The controllers with AC power supply are able to control both electronic valves with AC input and electronic valves with 24VDC. Standard 8 Channel Expansion slot 8 ,16 ,24 ,32


TECHNICAL SPECIFICATIONS

Power supply voltage	230 Vac 50-60 Hz \pm 10 %
Output voltage for solenoid valves	230 Vac 50-60 Hz 24 Vdc (Optional)
Inputs	Remote enabling (Terminal [CONTROL IN]) Option Post-cleaning cycles fan switch. (Terminal [FAN])
Solenoid valves output	channels 8 16 24
Electric consumption	28 Watts at maximum load
Alarm Relays	1 Point normally open
Maximum load:	3A @ 250Vac, 2A @ 24Vdc,
Screen	LCD display
5 x 20 mm glass fuse	230 Vac 1 x 2 A 24 Vdc 1 x 2 A
Operating temperature	-10 °C - 55 °C
Differential pressure	0-10 Kpa (2 point setting Pa , kPa , inH2O ,mmH2O)
Casing	Base in ABS Lid in Polycarbonate


SCAN ME

CB-ECO-4-16M Control unit sequencer 4-16 output channels (Manual)

ECO SOLUTION

Sequencer for controlling the pneumatic cleaning of industrial dust collector systems

Classic Method, state-of-the-art performances and basic functions to manage the cleaning cycle, large number of parameters and management via serial line. Economisers in the ECO SOLUTION range are digital sequential timers switches and are able to control from 4 to 16 solenoid valves respectively.

In all versions there is a mini display that can display the most important features and it is possible to programme the various and customizable internal parameters with the 5 buttons on the panel. The states and functions are displayed by the lighting of LCD on the front panel of the instrument.

The controllers with AC power supply are able to control both electronic valves 220VAC and 24VDC.



TECHNICAL SPECIFICATIONS

Power supply voltage	230 VAC 50-60 Hz ± 10 %
Output voltage for solenoid valves	230 VAC 50-60 Hz 24 VDC (Optional)
Inputs	Post-cleaning cycles fan switch. (Terminal [FAN])
Solenoid valves output	Channels 4 8 12 16
Electric consumption	28 Watts at maximum load
Alarm Relays	NO
Maximum load:	3A @ 250Vac, 2A @ 24Vdc,
Screen	LCD display
5 x 20 mm glass fuse	230 Vac 1 x 2 A 24 Vdc 1 x 2 A
Operating temperature	-10 °C - 55 °C
Casing	Base in ABS Lid in Polycarbonate



CB-ECO-4-16AT control unit sequencer 4-16 output channels **with built-in differential pressure**

ECO SOLUTION

Sequencer for controlling the pneumatic cleaning of industrial dust collector systems **with built-in differential pressure**

Classic Method, state-of-the-art performances and basic functions to manage the cleaning cycle, large number of parameters and management via serial line. Economisers in the ECO SOLUTION range are digital sequential timers switches and are able to control from 4 to 16 solenoid valves respectively.

In all versions there is a large display that can display the most important features and it is possible to programme the various and customizable internal parameters with the 5 buttons on the panel. The states and functions are displayed by the lighting of LCD on the front panel of the instrument.

The controllers with AC power supply are able to control both electronic valves 220VAC and 24VDC.



TECHNICAL SPECIFICATIONS

Power supply voltage	230 Vac 50-60 Hz ± 10 %
Output voltage for solenoid valves	230 Vac 50-60 Hz 24 Vdc (Optional)
Inputs	Post-cleaning cycles fan switch. (Terminal [FAN])
Solenoid valves output	Channels 4 8 12 16
Electric consumption	28 Watts at maximum load
Alarm Relays	1 Point normally open (Terminal [ALARM])
Maximum load:	3A @ 250Vac, 2A @ 24Vdc,
Screen	LCD display
5 x 20 mm glass fuse	230 Vac 1 x 2 A 24 Vdc 1 x 2 A
Operating temperature	-10 °C - 55 °C
Differential pressure	0-10 Kpa (2 point setting Pa , kPa , inH2O ,mmH2O)
Casing	Base in ABS Lid in Polycarbonate

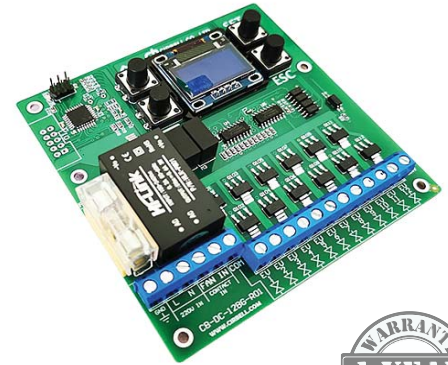


CB-BUDGET-4-16M Control unit sequencer 6-12 output channels (Manual)

BUDGET SOLUTION

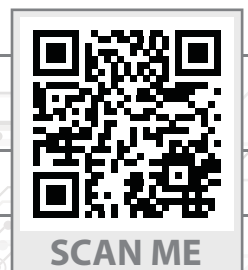
Sequencer for controlling the pneumatic cleaning of industrial dust collector systems ,Low cost with high performance and guaranteed reliability are able to control from 6 to 12 solenoid valves respectively.

In all versions there is a mini display that can display the most important features and it is possible to programme the various and customizable internal parameters with the 4 buttons on the panel. The states and functions are displayed by the lighting of LED on the front panel of the instrument.



TECHNICAL SPECIFICATIONS

Power supply voltage	230 VAC 50-60 Hz \pm 10 %
Output voltage for solenoid valves	230 VAC 50-60 Hz
Inputs	Post-cleaning cycles fan switch. (Terminal [FAN])
Solenoid valves output	Channels 6 12
Electric consumption	28 Watts at maximum load
Maximum load:	3A @ 250Vac,
Screen	LED display
5 x 20 mm glass fuse	230 Vac 1 x 2 A
Operating temperature	-10 °C - 55 °C
Casing	NO



SCREEN LCD DISPLAY

Press + to Change Value
กดปุ่ม + เพื่อเปลี่ยนข้อมูลตัวเลข

Press - to Move Cursor
กดปุ่ม - เพื่อเลื่อนตำแหน่งตัวเลข

SET

Press SET to SETUP / ENTER
กดปุ่ม SET เพื่อเข้า เมนูหรือ ยืนยันข้อมูล

ESC

Press ESC to ESCAPE /SKIP
กดปุ่ม ESC เพื่อยกเลิก หรือข้ามเมนู



DESCRIPTION

Sequencer for controlling the pneumatic cleaning of industrial dust collector systems. It has 2 output relay contacts and 2 digital input contacts. 3-digit luminous LED display, which allows to read the unit operating status, the active solenoid valves and any alarms, at all times.

OPTIONS UPON REQUEST

- Activation of 2 solenoid valves for every output channel.
- Cable glands for power supply input and output of solenoid valves drive cables.
- Connector from wired panel for connection to Matrix cabling.
- Built-in pilots for remote control of the pneumatic valves.
- Casing container with different format.
- Zone 22 ATEX Certification.

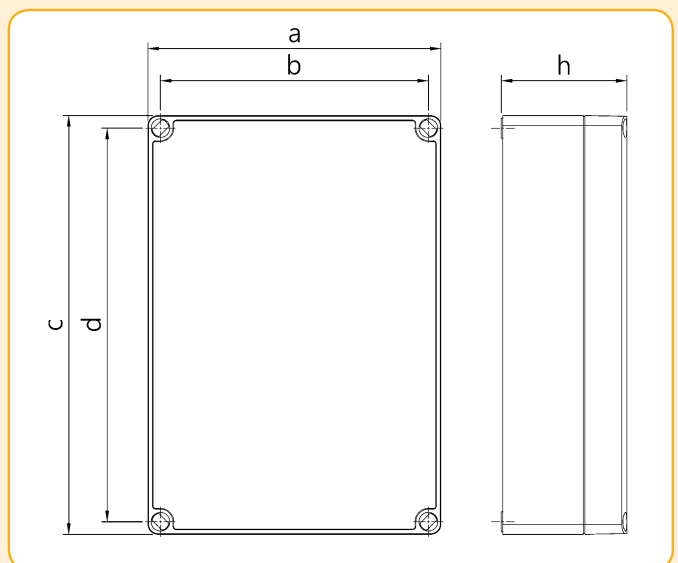
REFERENCE STANDARDS

- Directive 2014/30/EC Electromagnetic Compatibility meeting European harmonised standards EN61000-6-2:2005 class B in standard EN61000-6-4:2001
- Directive 2014/35/EU Low Voltage meeting European harmonised standards EN 60947-1:2004

For additional information and technical specifications, consult www.turbocontrols.eu

TECHNICAL SPECIFICATIONS

Power supply voltage	115 Vac 50-60 Hz \pm 10 % 230 Vac 50-60 Hz \pm 10 %
Power supply voltage upon request	24 Vac \pm 10 % 24 Vdc \pm 10 %
Output voltage for solenoid valves	115 Vac 50-60 Hz 230 Vac 50-60 Hz 24 Vac 24 Vdc
Inputs	Remote enabling consent switch. Post-cleaning cycles fan switch.
Solenoid valves output channels	4 ÷ 16
Electric consumption	28 Watts at maximum load
Alarm Relays	2 normally closed Maximum load: 3A @ 250Vac, 2A @ 24Vdc, 24 Vac.
Screen	3 x 0.8 inch digit 7-segment LED display
5 x 20 mm glass fuse	115 or 230 Vac 1 x 1 A 24 Vac or 24 Vdc 1 x 3 A
Operating temperature	-10 °C - 55 °C
Storage temperature	-20 °C - 60 °C
Environmental humidity	0 ÷ 95% Relative non condensing
Valves opening impulse time	50 m.sec. ÷ 5 sec.
Interval pause time between valves opening	1 sec. ÷ 999 sec.
Casing	Base in ABS Lid in Polycarbonate
Protection rating from water and dust	IP65 DIN EN 60529
Shock resistance	IK07 2 Joule (EN62262)



	Number of output channels		Dimension of the Structure				
	a	b	c	d	h		
4 ÷ 8	175	160	175	160	75		
12 ÷ 16	175	160	250	235	75		



DESCRIPTION

Economiser for controlling the pneumatic cleaning of industrial dust collector systems. It has 2 output relay contacts and 2 digital input contacts. Differential pressure digital control through internal transducer, which allows the accurate analysis of the filter clogging status. 3-digit luminous LED display, which allows to read the filter clogging status, the active solenoid valves and any alarms, at all times.

OPTIONS UPON REQUEST

- Activation of 2 solenoid valves for every output channel.
- Cable glands for power supply input and output of solenoid valves drive cables.
- Connector from wired panel for connection to Matrix cabling.
- Built-in pilots for remote control of the pneumatic valves.
- Casing container with different format.
- Zone 22 ATEX Certification.

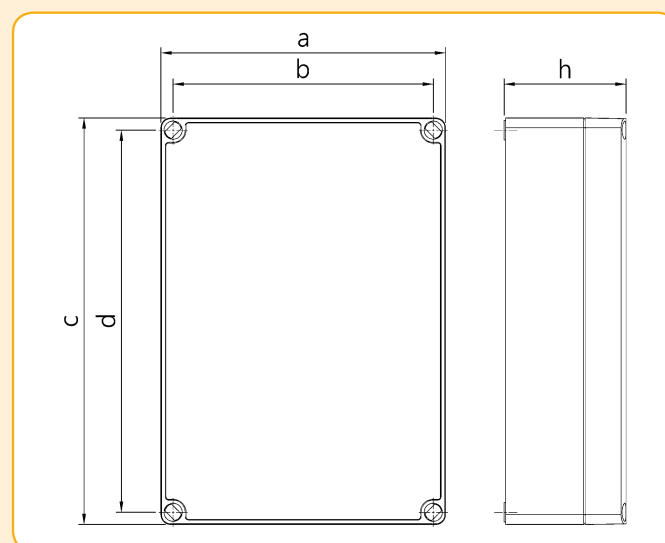
REFERENCE STANDARDS

- Directive 2014/30/EC Electromagnetic Compatibility meeting European harmonised standards EN61000-6-2:2005 class B in standard EN61000-6-4:2001
- Directive 2014/35/EU Low Voltage meeting European harmonised standards EN 60947-1:2004

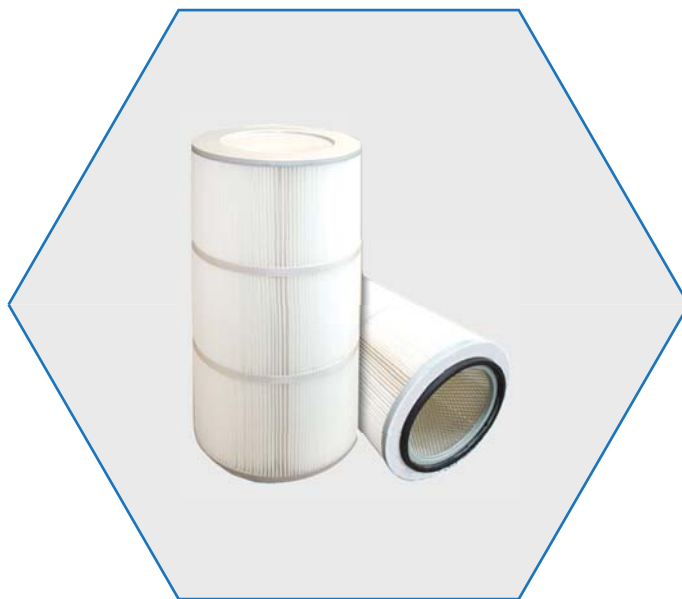
For additional information and technical specifications, consult www.turbocontrols.eu

TECHNICAL SPECIFICATIONS

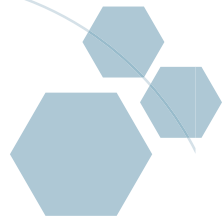
Power supply voltage	115 Vac 50-60 Hz \pm 10 % 230 Vac 50-60 Hz \pm 10 %
Power supply voltage upon request	24 Vac \pm 10 % 24 Vdc \pm 10 %
Output voltage for solenoid valves	115 Vac 50-60 Hz 230 Vac 50-60 Hz 24 Vac 24 Vdc
Inputs	Remote enabling consent switch. Post-cleaning cycles fan switch.
Solenoid valves output channels	4 ÷ 16
Active output 4-20ma	Proportional to the dP reading for remote consultation of the pressure.
Electric consumption	28 Watts at maximum load
Alarm Relays	2 normally closed Maximum load: 3A @ 250Vac, 2A @ 24Vdc, 24 Vac.
Differential pressure switch	0 - 4 kPa
Screen	3 x 0.8 inch digit 7-segment LED display
5 x 20 mm glass fuse	115 or 230 Vac 1 x 1 A 24 Vac or 24 Vdc 1 x 3 A
Operating temperature	-10 °C - 55 °C
Storage temperature	-20 °C - 60 °C
Environmental humidity	0 ÷ 95% Relative non condensing
Valves opening impulse time	50 m.sec. ÷ 5 sec.
Interval pause time between valves opening	1 sec. ÷ 999 sec.
Casing	Base in ABS Lid in Polycarbonate
Protection rating from water and dust	IP65 DIN EN 60529
Shock resistance	IK07 2 Joule (EN62262)



	Number of output channels		Dimension of the Structure				
	a	b	c	d	h		
4 ÷ 8	175	160	175	160	75		
12 ÷ 16	175	160	250	235	75		



Cartridge Filter
Suitable for the filtration of fine dusts



Spun bonded Polyester Air Cartridge Filter (PE Media)

Product Features

- 1) Suitable for the filtration of fine dust type in plastics, spray powder, sand blasting, pigment and wood industries.
- 2) Imported long fiber polyester filter material with tight pore structure.
- 3) Excellent moisture resistance and dust release properties.
- 4) Durable and rigid material, washable Greater withstanding performance to pulse jet than traditional materials.
- 5) Electrochemical plate top and bottom, no rust Perforated zinc galvanized metal inner core allows good airflow.
- 6) Specialty chlorine rubber gasket to ensure airtight sealing.
- 7) Applicable temperature : 93 -135oC.
- 8) Out side strabe anti cartridge not deform.
- 9) Anti-Static for explosive dust to the electrical load.
- 10) Excellent filter efficiency 99.99 % at 5 micron.
95 % at 1 micron.

PEC-10 OD = 324 mm ID = 213 mm L = 660 mm
Filtration surface(m2) = 9.4 m2

คุณสมบัติ

- 1) เหมาะสำหรับการกรองฝุ่นที่ละเอียด เช่น พลาสติก ผงแป้ง ฝุ่นละออง ที่เกิดจากการพ่นทราย ห้องพ่นสี ออบเคมี และอุตสาหกรรมไม้
- 2) วัสดุนำเข้าทำจากไฟเบอร์เป็นฟิลเตอร์กรองฝุ่นชนิดที่มีความเหนียวทนทานเป็นพิเศษ และมีโครงสร้างที่แข็งแรง
- 3) ทนทานต่อความชื้น และทำความสะอาดง่าย
- 4) วัสดุทนต่อแรงลมกระแทกขณะทำความสะอาดถุงกรอง
- 5) โครงสร้างยึดแผ่นกรองด้านบน-ด้านล่างเป็นเหล็กขาและไม้ชิ้นสนิม โครงยึดด้านในเป็นตะแกรงเหล็กหุ้มสังกะสีเพื่อเสริมความแข็งแรงและสะดวกต่อการไหลผ่านของอากาศ
- 6) ประกันป้องกันการรั่วซึมของอากาศทำจากยางชนิดพิเศษ
- 7) ทนความร้อนได้ที่อุณหภูมิ 93 – 135 o C
- 8) ปลวกกัดจับด้านนอก 2-3 ระดับป้องกันจับลัม และเสียรูป





Spun bonded Polyester Air Cartridge Filter with PTFE Coating

Product Features

- 1) Suitable for the filtration of very, very fine dust type in welding fumes, mechanical processing, pharmaceutical and construction industries And sticky dust collection. Organic, antistatic material, high moisture.
- 2) Imported spun bonded polyester with PTFE membrane, microporous Offers 99.99 +% filter efficiency. At 0.1 micron.
- 3) Wide pleat spacing and smooth, hydrophobic PTFE provides excellent particle release.
- 4) Excellent resistance to chemical erosion.
- 5) Electrochemical plate / stainless steel top and bottom, no rust Perforated zinc galvanized metal inner core allows good airflow.
- 6) Applicable temperature : 93 -135oC.
- 7) Out side strape anti cartridge not deform.

คุณสมบัติ

- 1) เหมาะสำหรับกรองฝุ่นที่ละเอียดมาก ๆ เช่น ฝุ่นควันจากการเชื่อม การใช้เครื่องจักรในโรงงานอุตสาหกรรม และฝุ่นที่มีความชื้นสูง เช่น ละออง น้ำ ละอองน้ำมันที่มีความเหนียวอยู่ในตัว เคมีที่กัดกร่อน และฝุ่นที่มีไฟฟ้าสถิตในตัว
- 2) วัสดุนำเข้าทำด้วยโพลีเอสเตอร์ ชนิด PTFE ชนิดพิเศษมีความสามารถในการกรองฝุ่นได้สูงสุด 99.99 % ที่ขนาดของฝุ่น 0.1 ไมครอน
- 3) มีพื้นที่ในการกรองมากและเรียบ ซึ่งวัสดุเป็นชนิด ไฮโดรโฟบิก (PTFE) ซึ่งสะดวกต่อการทำความสะอาดชิ้นส่วนจากการกรอง
- 4) ฟิลเตอร์เคลือบสารป้องกันจากการกัดกร่อนจากสารเคมี
- 5) โครงสร้างยึดแผ่นกรองด้านบน - ด้านล่างเป็นเหล็กชุบสังกะสี โครงสร้างยึดด้านในเป็นตะแกรงสังกะสีสะดวกต่อการไหลผ่านของอากาศ
- 6) ทนความร้อนได้ที่อุณหภูมิ 93 -135oC.
- 7) ปลอกรัดจับด้านนอก 2-3 ระดับป้องกันจับล้ม และเสียรูป



cirbell@outlook.co.th <http://cirbell.com> +66 2077-9025

PPK-10 OD = 324 mm ID = 213 mm L = 660 mm
Filtration surface(m2) = 9.4 m2



Cellulose Air Cartridge Filter

Product Features

Suitable for the filtration of fine dust type in gas turbines, compressors, shot blast, tobacco, pulverized coal ash and floating dust collection.

- 1) Imported cellulose fiber or synthetic fiber for base media.
- 2) Excellent filter efficiency 99.99 % at 0.1 micron.
- 3) Wide pleat spacing, great filter surface (20m² / set).
- 4) Electrochemical plate top and bottom, no rust.
- 5) Perforated zinc galvanized metal inner core, allows good airflow.
- 6) Specialty chlorine rubber gasket to ensure airtight sealing.
- 7) Applicable temperature : 65oC.
- 8) Inner and outer screen anti cartridge not deform.

CEC-20 OD = 324 mm ID = 213 mm L = 660 mm
Filtration surface(m²) = 20 m²

คุณสมบัติ

เหมาะสำหรับฝุ่นละเอียดที่ใช้กับแก๊สเทอร์ไบน์ คอมเพรสเซอร์ คิว้นจากการหลอม คิว้นบุหรี คิว้นจากถ่านหิน และฝุ่นละอองที่ลอยในอากาศ

- 1) วัสดุเป็นชนิดเซลลูโลสไฟเบอร์ หรือเคมีไฟเบอร์
- 2) มีคุณสมบัติในการกรองเป็นอย่างดีที่ 99.99 % ที่ 0.1 ไมครอน
- 3) มีพื้นที่ในการกรองมาก สวยเรียบ
- 4) แผ่นยึดด้านบน - ด้านล่าง เคลือบเคมีชนิดกันสนิม
- 5) โครงตะแกรงด้านในเป็นเหล็กชุบสังกะสีไม่ขึ้นสนิม และอากาศไหลผ่านได้ดี
- 6) มีประกันป้องกันการซึมรั่วของอากาศทำจากยางชนิดพิเศษ
- 7) ทนอุณหภูมิได้ที่ 65°C
- 8) ด้านนอกและด้านในเป็นโครงตะแกรงป้องกันจับลัมและเสียรูป





differential pressure gauge
&
Digital differential pressure gauge



J-5000 型氣體微差壓表

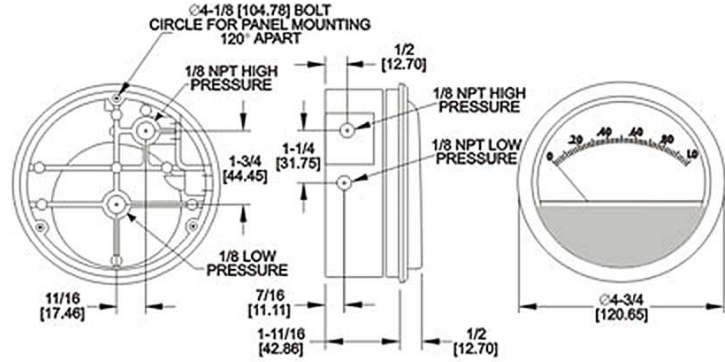
J-5000 AERO TYPE DIFFERENTIAL PRESSURE GAUGES

Quality Technology

中、美、日、韓、加、台六國專利

WORLD PATENT of 6 COUNTRIES

CHINA、AMERICA、JAPAN、KOREA、CANADA、TAIWAN



J-5000型機械式微差壓表是利用簡單、無摩擦的磁體螺旋運動，以橡膠膜片作為敏感元件而進行測量工作的彈性壓力錶。它能利用指標迅速指示出被測氣體的壓力，無論是正壓，負壓或差壓。此設計具有防震、搖動和過壓的功能。而且表內無需充注液體，也就沒有氣化、凍結、異味的問題出現。

J-5000 type Differential Pressure Gauge make used of simplicity; have no friction of the magnetic element of spiral movement, with rubber film slice as the sensitive component in measuring flexibility pressure. It can make use of index sign to indicate the measuring of gaseous pressure quickly, no matter of positive, negative or differential pressure. This design has quakeproof, shaking and over pressure function. Nevertheless, there's no need to have liquid filling inside, therefore, no gaseous, freezing, and strange smell will appears in this matter.

J-5000型差壓錶被廣泛應用於測量風扇和鼓風機的壓力，篩檢程式阻力，風速，爐壓，孔板差壓，同時也用於燃燒過程中的空氣煤氣比值控制及自動閥控制，以及醫療保健設備中的血壓和呼吸壓力監測。

J-5000 type's differential pressure gauges is extensively been applied in pressure of measuring the fan and drum breeze machine, screening out the program resistance, wind velocity, the stove presses, hole plank differential gauge, also be used for burnable the air coal gas specific value within process control and the automatic valve control, and the medical treatment care for the blood pressure equipment and to monitor the breathe pressure.

過程連接: 高壓和低壓孔均為1/8" 錐管螺紋，兩組(側面和背面各一組)

Process conjunction: high pressure and low-pressure hole of 1/8" drill tube thread, 2 set(side and back each)

標準附件: 2個1/8" NPT堵頭，2個1/8" 螺紋橡膠管接頭，和3個帶螺釘的嵌入式安裝螺釘卡。

Standard fitting: 2 pcs 1/8" NPT head, 2 pcs 1/8" spiral plastic tube; & 3 pcs with bolt for bolt card installation.

外殼材質: 壓模鑄鋁或含尼龍的ABS塑膠。

Casing Material: cast aluminum press or Nylon with ABS plastic

精確度: 標準為±2%FS

Accuracy: Standard ±2%FS

環境溫度: -7 ~ 60°C

Environmental temperature: -7 ~ 60°C

ELECALL MANOMETER TE2000



0-250 mmH2O

PRODUCT FEATURES



- Eliminating the friction caused by the rotation of the gear

- Change the conventional liquid without filling



- Industrial grade quality professional work

INSTALLATION ACCESSORIES



- 2 Pcs 1/8" internal room temperature and atmospheric pressure high-low pressure copper Taper pipe threads
- 2 Pcs 1/8" internal high-low pressure taper pipe plug head.
- The embedded installation adapter and screw



cirbell@outlook.co.th http://cirbell.com +66 2077-9025

PRODUCT INFORMATION



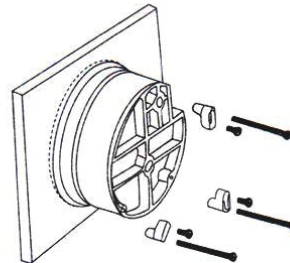
Specifications Model	TE2000 Gauge
Ambient Temperature	-6~60°C
Rated Pressure	-68~103KPa
Shell Material	Aluminum Film

TECHNICAL PARAMETERS

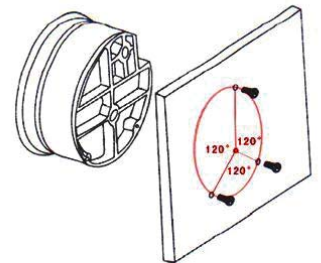
Overload Pressure	About 172KPa overvoltage when the rubber stopper has been rushed to open
Process Connection	1/8" female NPT high and low pressure taps, duplicated, one pair side and one pair back Shell Material: Aluminum External, final coating film dark black
Shell Material	Aluminum External, final coating film dark black
Accuracy	± 2% FS (21 ° C)
Standard Accessories	Two 1/8" NPT plugs for duplicate pressure nozzles, two 1/8" pipe thread for rubber fittings. Three bolts with countersunk mounting interface.

INSTALLATION METHOD

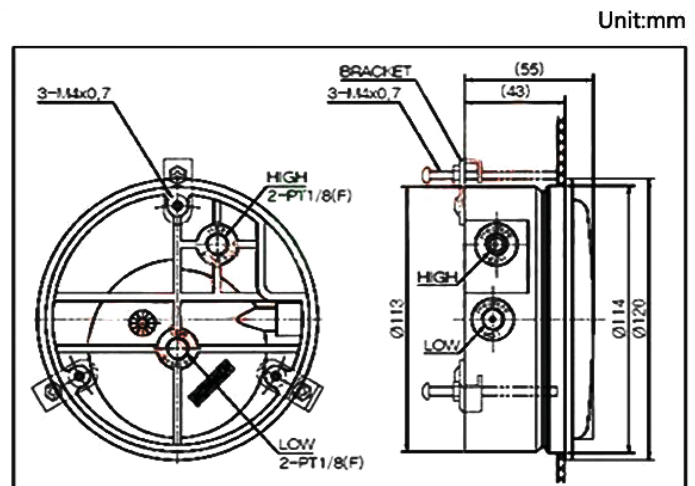
Embedded installation



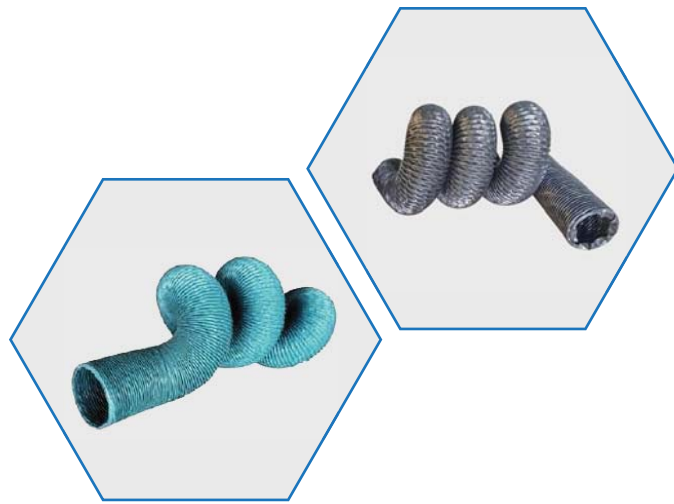
Surface mount



PRODUCT SIZE



Unit:mm



Flexible Air Duct
Ventilation Equipment Factory

ท่อฟ้าใบเคลือบ pvc (สีเขียวขี้ม้า)



คุณสมบัติ :

- ท่อลมอ่อนที่ใช้ในงานอุตสาหกรรม แข็งแรงทนทานมีคุณภาพสูง
- ประกอบด้วยฟ้าใบเคลือบ PVC และเสริมโครงสร้างลดผลกระทบภายในโดยไม่ใช้ทวในกรรมวิธีการผลิต (ใช้ความร้อนที่อุณหภูมิ 400 องศา)
- ความหนามาตรฐาน 0.5 มม ระหว่างร่องขอลวด 23 มม.

การใช้งาน :

- เหมาะสำหรับใช้ในระบบระบาย อากาศแบบต่างๆ ระบบลมร้อน-เย็น ระบายฝุ่น คิวิน
- อุณหภูมิ ที่ใช้งาน -20 ถึง +120 องศา
- ความยาวมาตรฐาน 6 เมตร/เส้น และ 10 เมตร/เส้น

ขนาด (นิ้ว)	ขนาด (mm)	ความยาว (เมตร)
2"	50	6,10
2.5"	63	6,10
3	75	6,10
4	100	6,10
5	125	6,10
6	150	6,10
7	175	6,10
8	200	6,10
9	225	6,10
10	250	6,10
12	300	6,10
14	350	6,10
16	400	6,10
18	450	6,10
20	500	6,10
22	550	6,10
24	600	6,10

ขนาด (นิ้ว)	ขนาด (mm)	ความยาว (เมตร)
2"	50	6,10
2.5"	63	6,10
3	75	6,10
4	100	6,10
5	125	6,10
6	150	6,10
7	175	6,10
8	200	6,10
9	225	6,10
10	250	6,10
12	300	6,10
14	350	6,10
16	400	6,10
18	450	6,10
20	500	6,10
22	550	6,10
24	600	6,10

ท่อฟ้าใบเคลือบ pvc ชนิดไม่ลามไฟ (สีดำ)



คุณสมบัติ :

- ท่อลมอ่อนที่ใช้ในงานอุตสาหกรรม มีความยืดหยุ่นสูง น้ำหนักเบา แต่แข็งแรงทนทาน มีคุณภาพสูง
- ประกอบด้วยฟ้าใบเคลือบ PVC ฟลลอร่ากันไฟลาม และเสริมโครงสร้างลดผลกระทบใน - ความหนามาตรฐาน 0.5 มม ระหว่างร่องขอลวด 23 มม.

การใช้งาน :

- เหมาะสำหรับใช้ในระบบระบายอากาศ ที่ต้องการระบายควันไฟอย่างรวดเร็ว
- ทนอุณหภูมิได้ 180 องศาเซลเซียส
- ความยาวมาตรฐาน 6 เมตร/เส้น และ 10 เมตร/เส้น